

Oxford City Planning Committee Presentation

www.oxford.gov.uk



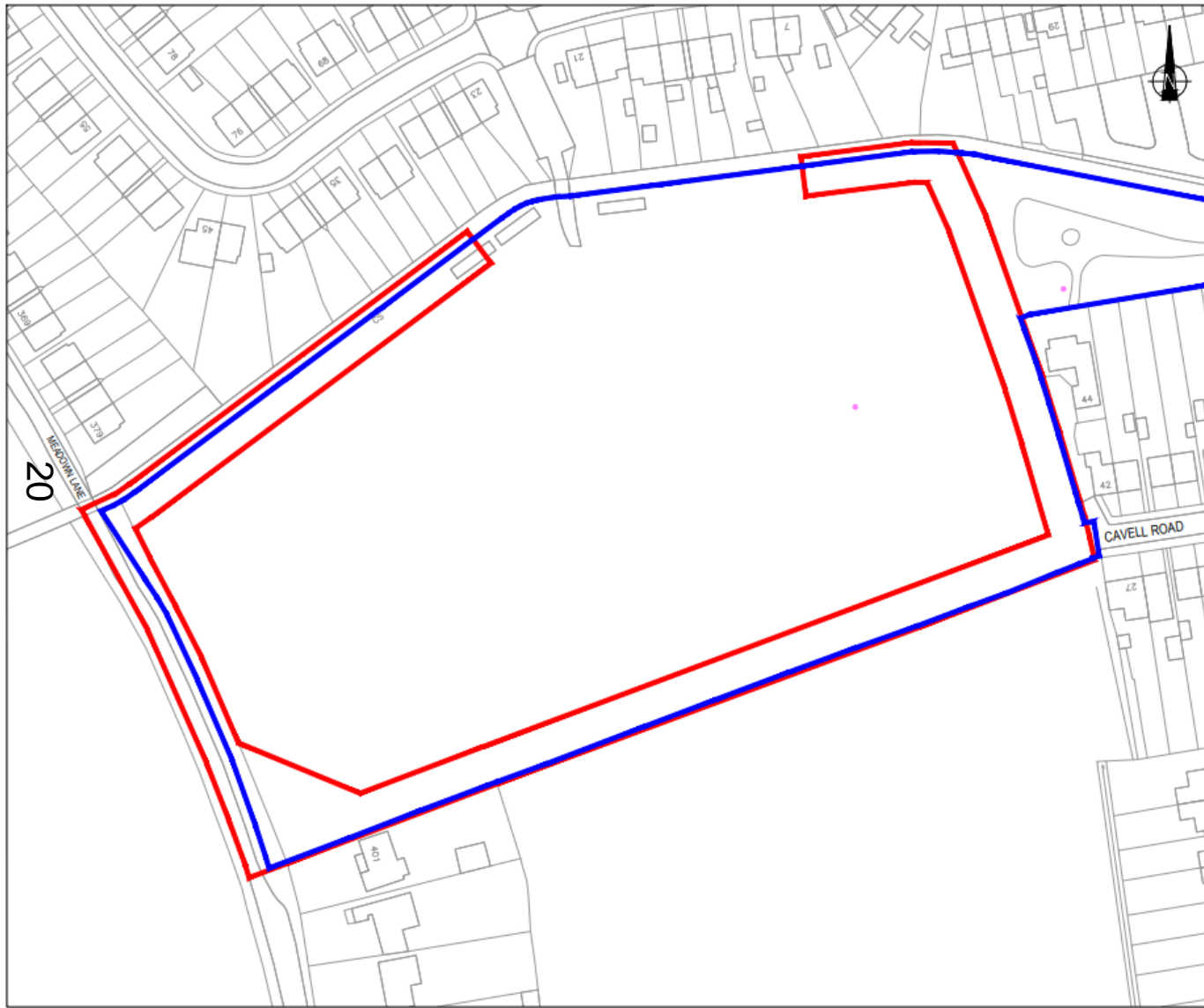
19

Reference Number: 22/02446/CT3

Site Address: Donnington Recreation Ground



Site Location Plan



SCALE 1:1000

© Crown copyright and database rights 2019. Unauthorised reproduction infringes Crown copyright and may lead to prosecution or civil proceedings. Ordnance Survey 100019348

www.oxford.gov.uk



**OXFORD
CITY
COUNCIL**



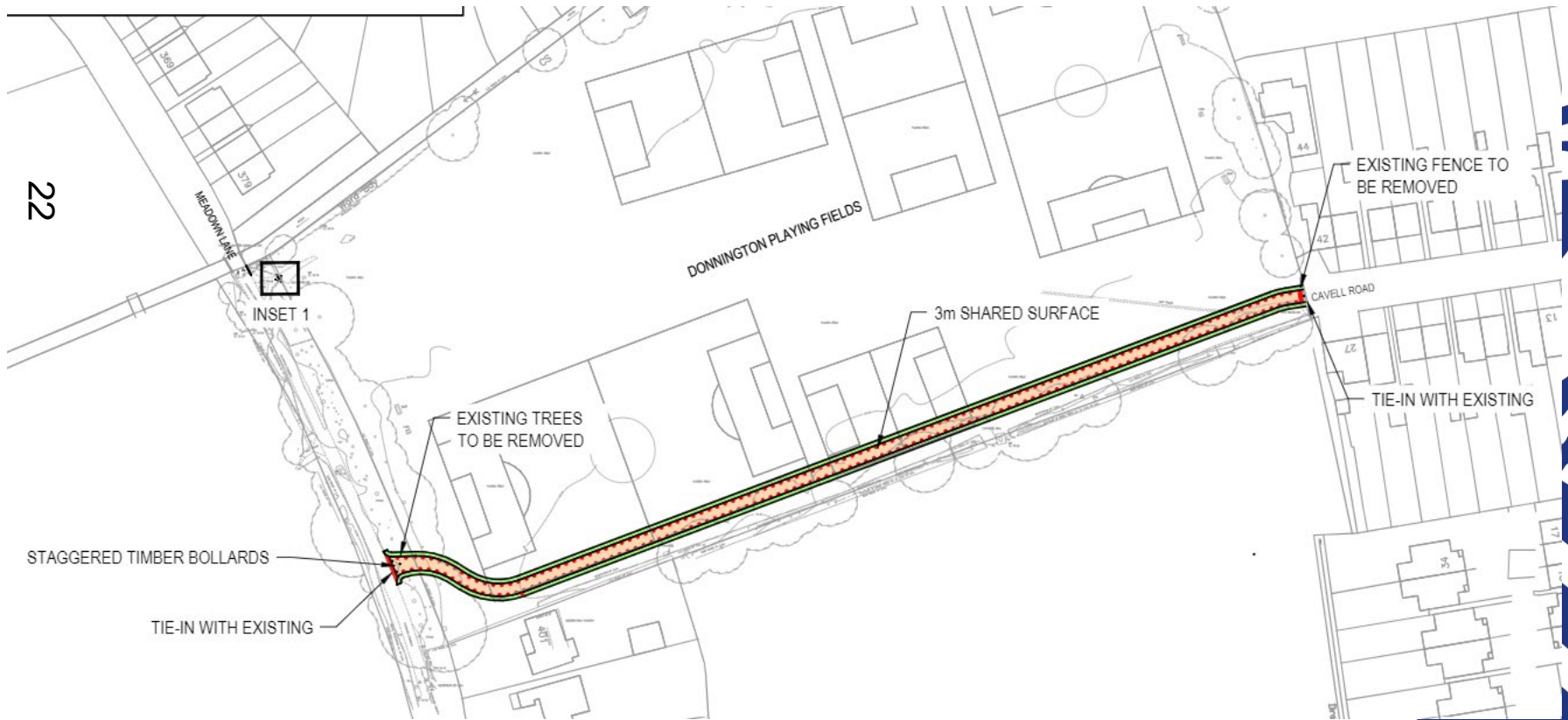
Aerial View



www.oxford.gov.uk



Proposed Plans



Existing Access – Cavell Road



23

www.oxford.gov.uk



**OXFORD
CITY
COUNCIL**



Existing Desire Line

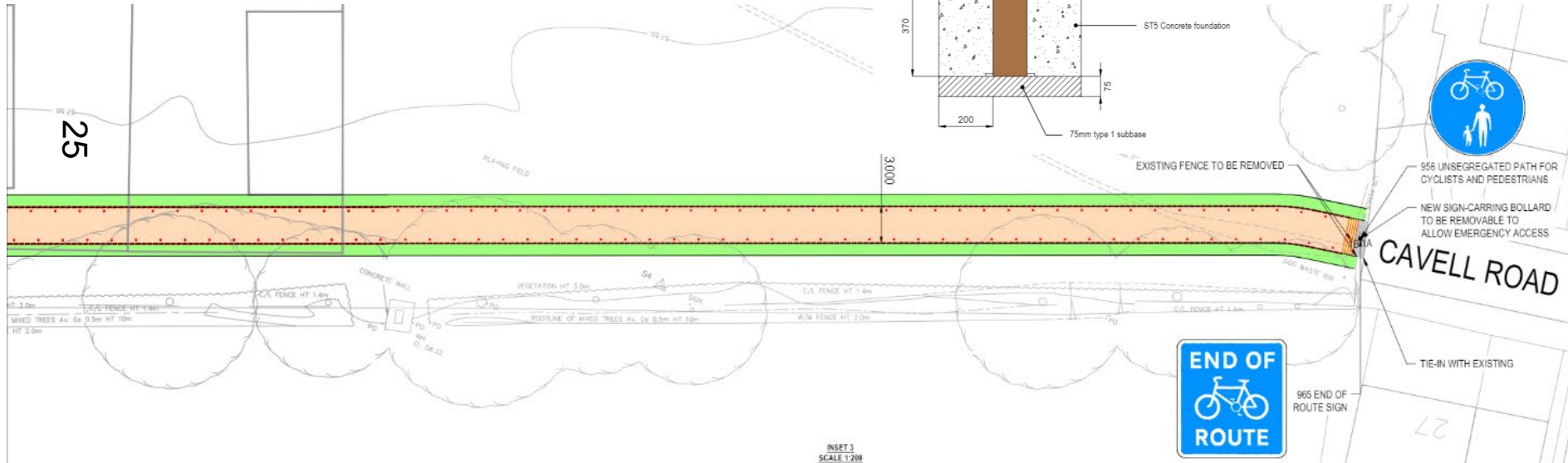


www.oxford.gov.uk



Proposed Plans – Cavell Road

www.oxford.gov.uk



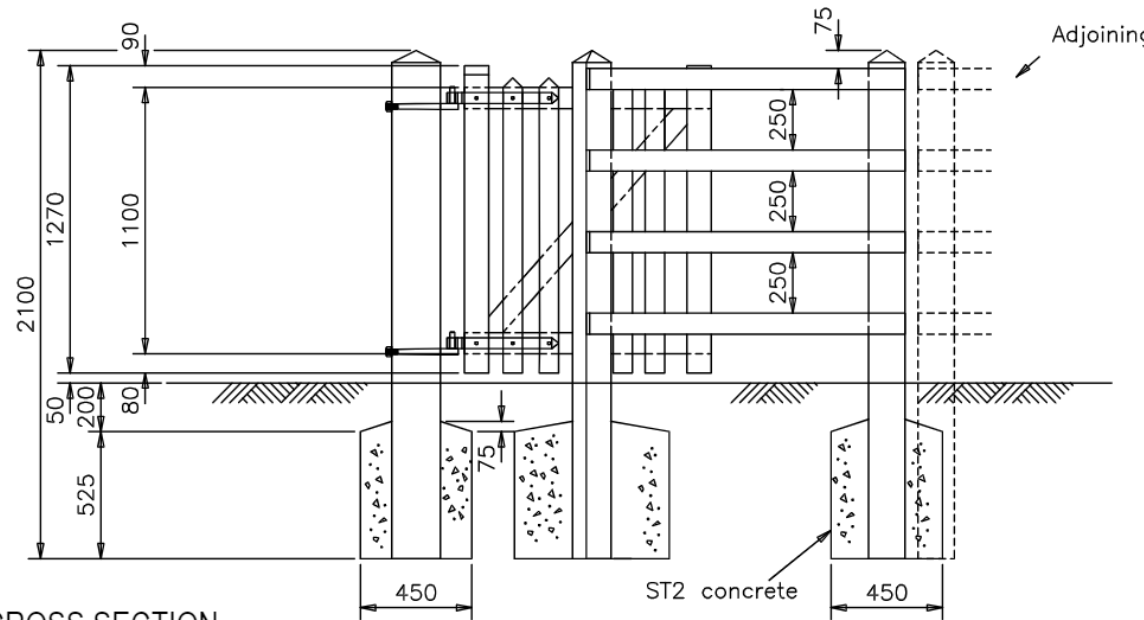
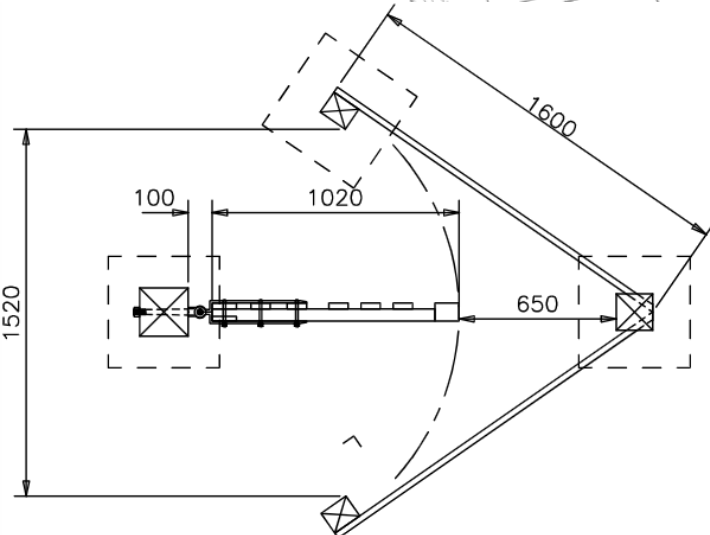
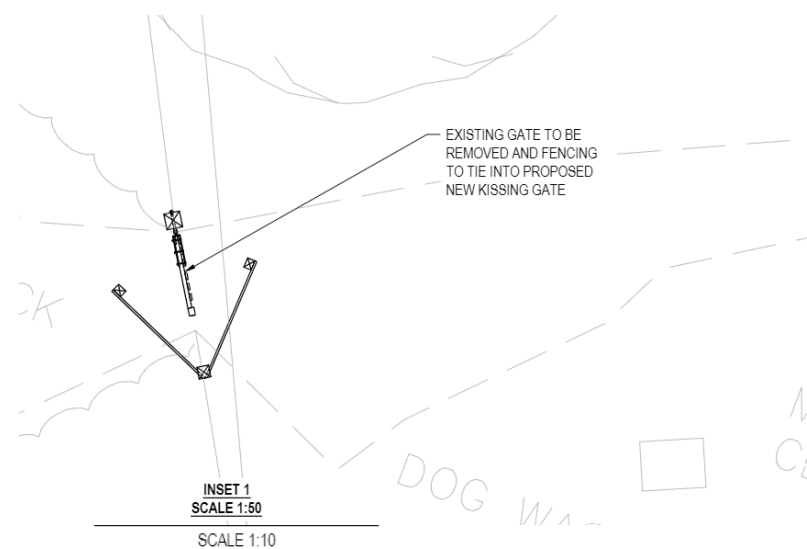
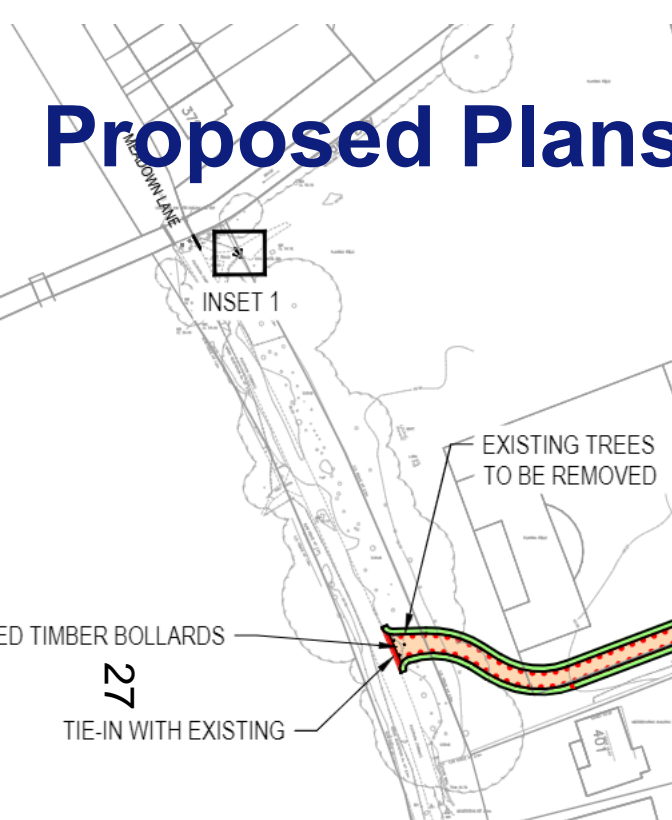
Existing Access – Meadow Lane

www.oxford.gov.uk



Proposed Plans – Meadow Lane Gate

www.oxford.gov.uk



TYPICAL CROSS SECTION

Timber Kissing Gate

Proposed New Access – Meadow Lane



www.oxford.gov.uk



**OXFORD
CITY
COUNCIL**



Tree Plan



On-site Planting



Off-site Planting



**OXFORD
CITY
COUNCIL**



Legend

- Greytians School Boundary
- Areas Identified for Landscape Enhancement
- Existing Trees
- Existing Hedgerow
- Proposed Native Tree Planting (5 nr)
- Proposed Ornamental Tree Planting (9 nr)
- Proposed Feathered Tree Planting (18 nr)
- Broad Native Hedgerow
- Amenity Grass
- Existing Grass to be Species Enriched with Wildflower Plug Planting
- Existing Grass to be Enriched with Naturalised Bulb Planting
- Native Structure Mix Planting

Notes

- Additional landscape improvement works sought at Greytians School through provision of additional tree and hedgerow planting, plus the enrichment of amenity grass with naturalised bulb and wildflower plug planting.
- Full details of services unknown at time of plan production. It is the contractors responsibility to be aware of services on site prior to implementation works. Non-permeable root protection barriers (GreenBlue Urban or similar approved) to be used with planting near to services.

| Item Number | Date | Drawn | Check | Appr |
|---------------|------------|-------|-------|------|
| 44888_3000_02 | 15/08/2022 | MS | MS | |

FOR ISSUE

OFFSITE LANDSCAPE PROPOSALS ASSOCIATED WITH DÖNNINGTON PLAYING FIELDS OXFORD_CYCLE_SCHEME

CLIENT: OXFORD DIRECT SERVICES

Stantec

Drawn by: MS Date: 15/08/2022
 Design: MS Date: 15/08/2022
 Check: MS Date: 15/08/2022
 Appr: MS Date: 15/08/2022

44888_3000_02